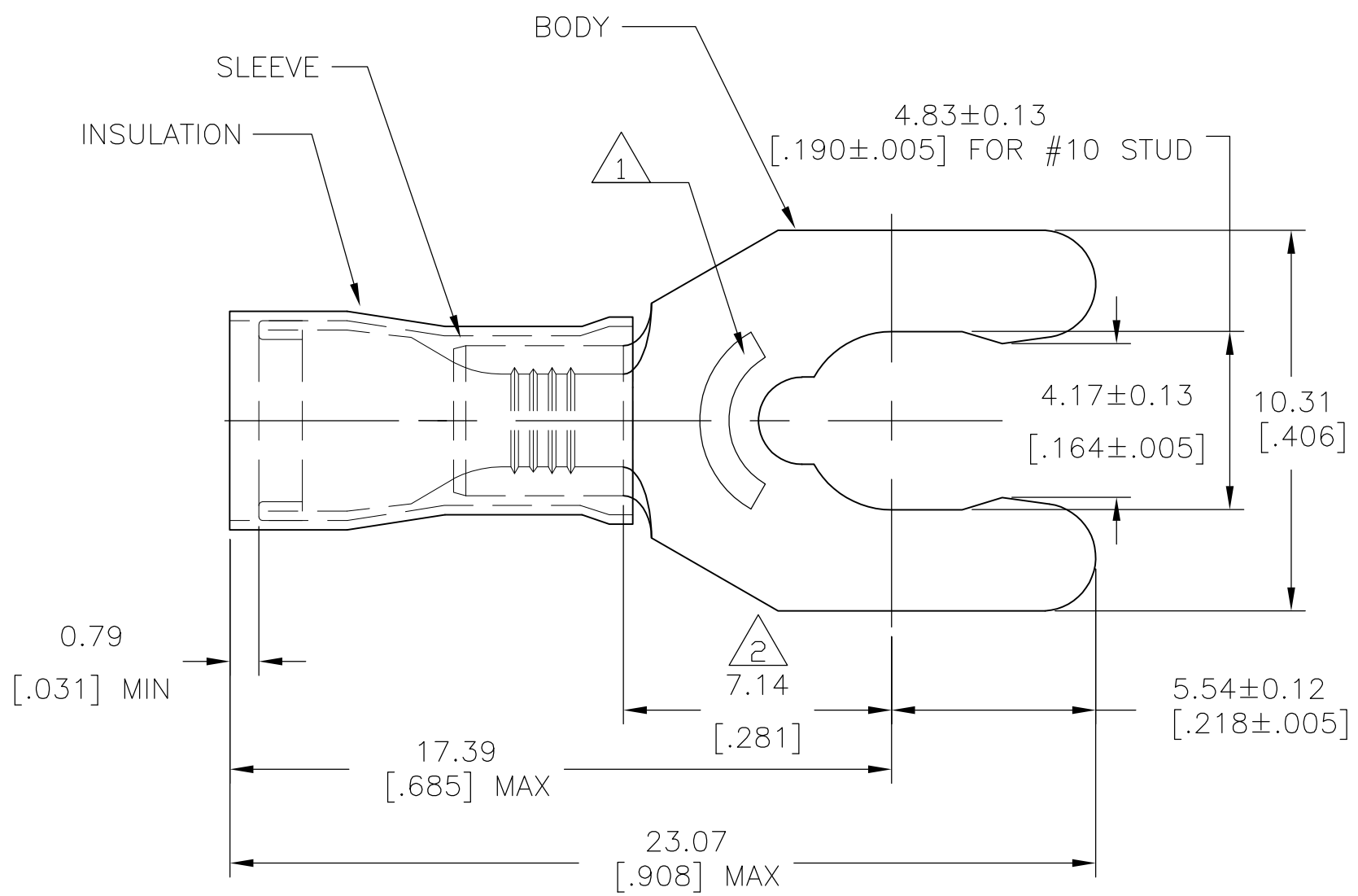


THIS DRAWING IS UNPUBLISHED. RELEASED FOR PUBLICATION  
 © COPYRIGHT - By - ALL RIGHTS RESERVED.

LOC	DIST	REVISIONS					
G	14	P	LTR	DESCRIPTION	DATE	DWN	APVD
			H3	REVISED PER ECO-14-002234	17MAY2014	NK	DR

- 1 STAMP 10S AMP 16-14\*, APPROX AS SHOWN.
- 2 APPLIES FROM EDGE OF METAL WIRE BARREL TO CENTER OF STUD HOLE.
- 3 TONGUE MATERIAL THK IS 0.79±0.05[.031±.002]
- 4 BODY - PHOS BRONZE PER ASTM B-103  
SLEEVE - COPPER PER ASTM B-152  
INSULATION - NYLON
- 5 BODY - TIN PLATE PER ASTM B545  
SLEEVE - TIN PLATE PER ASTM B545  
INSULATION - COLOR - BLUE



<b>AMP</b> WIRE RANGE	Listed FILE E13288	LR7189 Certified
16-14 AWG SOLID OR STRANDED	16-14 AWG SOLID OR STRANDED	16-14 AWG SOLID OR STRANDED

WIRE INSULATION OD	QTY	PACKAGE TYPE	PART NO
2.90-4.60[.115-.182]	100	LOOSE PIECE, BOX	9-52937-1
2.90-4.32[.115-.170]	100	LOOSE PIECE, BOX	7-52937-1
2.90-4.60[.115-.182]	4000	-2 ON TAPE	52937-3
2.90-4.60[.115-.182]	1000	LOOSE PIECE	52937-2
2.90-4.32[.115-.170]	4000	-1 ON TAPE	52937-1
2.90-4.32[.115-.170]	1000	LOOSE PIECE	52937

<b>CUSTOMER SERVICE SYSTEMS</b>		MAX RECOMMENDED OPERATING TEMPERATURE: 105°C [221°F]	THIS DRAWING IS A CONTROLLED DOCUMENT.		DWN jr_ruth 19MAR10	TE Connectivity				
FOR ADDITIONAL PRODUCT INFORMATION OR COPIES OF DRAWINGS AND TECHNICAL DOCUMENTS	PRODUCT INFORMATION CENTER 1-800-522-6752	VOLTAGE RATING: 300 V MAX	DIMENSIONS: mm [INCHES]	TOLERANCES UNLESS OTHERWISE SPECIFIED:	CHK T MICHELUTTI 19MAR10				NAME TERMINAL, SHORT SPRING SPADE, PIDG, WIRE SIZE: 16-14 AWG	
FOR APPLICATION TOOLING INFORMATION	TOOLING ASSISTANCE CENTER 1-800-722-1111	CIRCULAR MIL AREA: 1.04-2.62mm²[2,050-5,180] SOLID OR STRANDED		0 PLC ± - 1 PLC ± - 2 PLC ± - 3 PLC ± 0.20 [.008] 4 PLC ± - ANGLES ± 5°	APVD T MICHELUTTI 19MAR10	PRODUCT SPEC	SIZE	CAGE CODE	DRAWING NO	RESTRICTED TO
FOR ORDER ENTRY	1-800-526-5142	THIS DRAWING IS A CONTROLLED DOCUMENT FOR AMP INCORPORATED. IT IS SUBJECT TO CHANGE AND THE CONTROLLING ENGINEERING ORGANIZATION SHOULD BE CONTACTED FOR THE LATEST REVISION.	MATERIAL	FINISH	—	APPLICATION SPEC	A3	00779	C-52937	—
CUSTOMER DRAWING						WEIGHT	SCALE 6:1		SHEET 1 OF 1	REV H3